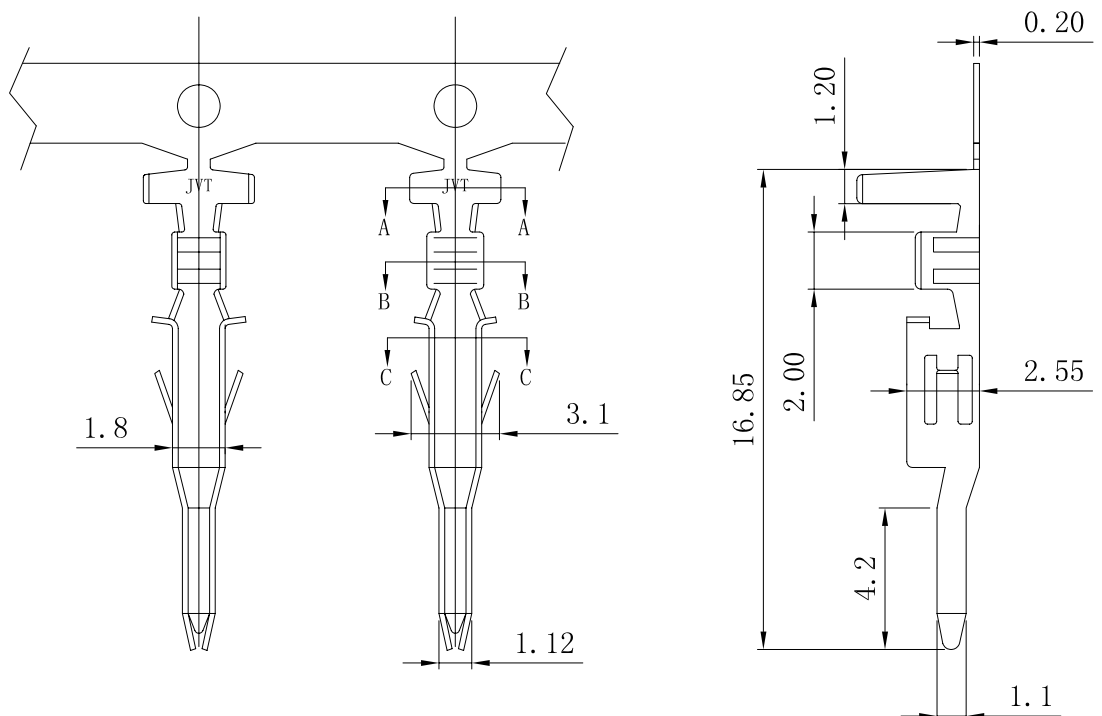


RoHS

REVISION DATE		
ITEM	DESCRIPTION	DATE
A	Issue	2013 05 14

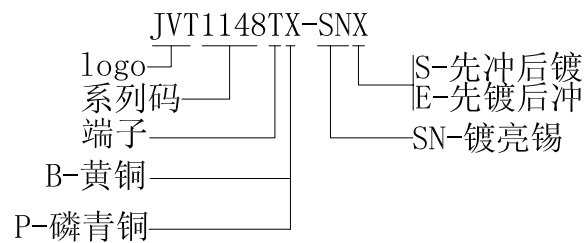
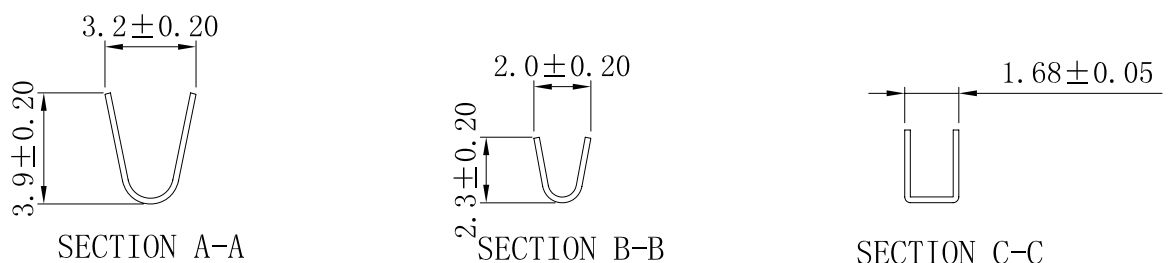


■ SPECIFICATIONS

- Voltage rating: 250V AC/DC
- Current rating: 7.0A AC/DC
- Withstanding Voltage: 1500V AC/minute
- Insulation resistance: 1000mΩ Min.
- Temperature range: -25°C - +85°C
- Contact resistance: 10mΩ Max.

■ TERMINAL

- Part No. : JVT1148TX-SNX
- Material: Phosphor Bronze
- Thickness: 0.20mm
- Finish: Tin-plated
- Applicable wires: AWG# 18~24
- Q' ty: 5,000 pcs/reel



投影 (PROJECT)		公差 (TOLERANCE)
单位 (UNIT)	mm	0 ± 0.50
比例 (SCALE)	FIT	0.0 ± 0.30
版本 (EDITION)	A	0.00 ± 0.20
日期 (DATE)	2013 05 14	0.000 ± 0.10

东莞市乔业电子有限公司
DONG GUAN CHYAO YEE (JVT) CONNECTORS CO., LTD.

绘图 (DRAWN)	YongJun	料号 (PART NO)	JVT1148TX-SNX	页次 (PAGE)	
审核 (CHECKED)		图号 (DRAW NO)	031-1148-TP	1/1	
核准 (APPROVE)		品名 (NAME)	MLX4.2mm Male TERMINAL		